



10-port Gigabit Managed PoE Switch

OP-S8E2X-M-AT



Shenzhen Optostar Optoelectronics Co., Ltd

2013. 09 (Version 2)

Overview

OP-S8E2X-M-AT managed PoE switch comes with 8x 10/100/1000Base-T RJ45, Ethernet ports, 1x console port, and 2x gigabit SFP slots. It can supply power to network equipment such as weather-proof IP cameras with windshield wiper and heater, high-performance AP and IP telephone. This managed PoE switch are highly flexible, the transmission distance of the SFP fiber port can be up to 120km, and with high resistance to electromagnetic interference.

OP-S8E2X-M-AT product components were rigorous screened, have superior performance in stability, environmental adaptability. Metal shells have better resistance ability to corrosion and electromagnetic interference, ensure stability and security of this Ethernet Switch. Power input also chooses a suitable and reliable types of power, to get more powerful suitability to environment.

Product Features

- All gigabit design, 8x gigabit Ethernet RJ45 ports with AutoUplink™, 1x console port, and 2x gigabit SFP slots.
- 8 PoE ports support power over Ethernet for PDs
- Meet IEEE802.3af/at PoE standard. Supports per port PoE configuration function
- L2+ features provide better manageability, security, QoS, and performance.
- Support L2+ Switching features including 802.1Q VLAN, Mirroring, Port isolation, IGMP Snooping, DHCP Snooping, LLDP, POE+ management, IP Source Guard, ARP inspection, ACLs etc.
- Support spanning tree STP(802.1D) and RSTP(802.1W).
- Jumbo frames support up to 9.6K kilobytes.
- Support enhanced management through WEB, CLI, TELNET, SSH, SNMP.
- Support cable diagnosis
- G.8032, support <50ms industrial quick ring protection



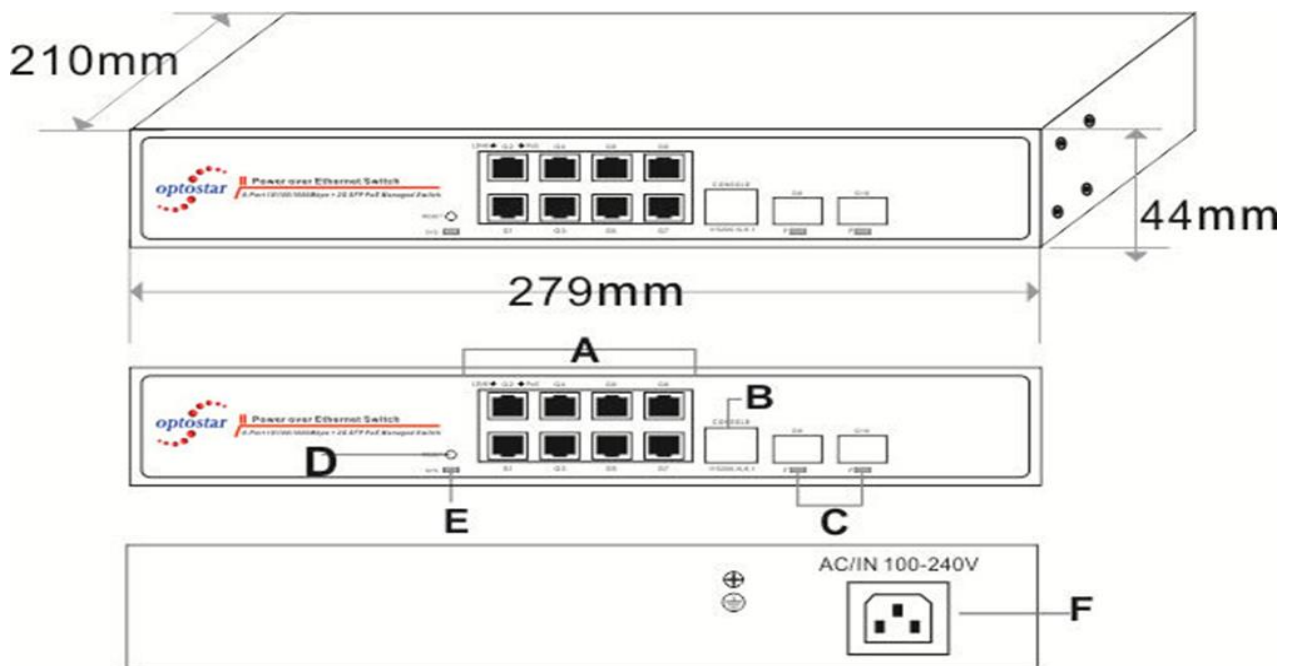
Technical Parameter

Product	10-port Gigabit Managed PoE Switch (OP-S8E2X-M-AT)	
Performance (Switching capacity and forwarding rate)		
Capacity in Millions of Packets per Second (mpps) (64-byte packets) (Buffer Memory)	4M	
Packet Forwarding Rate	14.88Mpps	
Switching Capacity in Gigabits per Second (Gbps) (Bandwidth)	20G	
Interface		
Ports	8-Port 10/100/1000Base-T + 2x gigabit SFP slots + 1 console port	
Layer 2 Switching		
Spanning Tree Protocol (STP)	Standard Spanning Tree 802.1d Rapid Spanning Tree (RSTP) 802.1w	
G.8032 ERPS	<50ms ring protection for industrial high reliable application	
Aggregation	Link Aggregation Control Protocol (LACP) IEEE 802.3ad; Up to 13 groups ; Up to 16 ports per group	
VLAN	Support up to 4K VLANs simultaneously (out of 4096 VLAN IDs) ; Port-based VLAN; 802.1Q tag-based VLAN	
IGMP v1/v2 snooping	IGMP limits bandwidth-intensive multicast traffic to only the requesters; supports 1024 multicast groups (source-specific multicasting is not supported)	
Security		
Secure Shell (SSH) Protocol	SSH secures Telnet traffic in or out the switch, SSH v1 and v2 are supported	
SecureSockets Layer (SSL), HTTPS	SSL encrypts the http traffic, allowing advance secure access to the browser-based management GUI in the switch	
Port Security	Locks MAC Addresses to ports, and limits the number of learned MAC addresses	
DHCP Snooping	prevent unauthorized configuration and use of IP addresses, while providing support for IP Source Guard and ARP detection	
IP Source Guard	Prevents datagram with spoofed addresses from being in the network	
ARP Inspection	Prevent ARP spoofing attacks and ARP	
Storm control	Prevents traffic on a LAN from being disrupted by a broadcast, multicast, or unicast storm on a port	

ACLs	Support for up to 256 entries; Drop or rate limitation based on source and destination MAC, VLAN ID or IP address, protocol, port, differentiated services code point (DSCP) / IP precedence, TCP/ UDP source and destination ports, 802.1p priority, Ethernet type, Internet Control Message Protocol (ICMP) packets, IGMP packets, TCP flag
Quality of Service	
Hardware Priority Queue	Support 8 hardware queues
Scheduling	8 COS queues per port support strict priority and weighted round-robin (WRR)
Classification	Port based; 802.1p(PCP) VLAN priority based;
Rate Limiting	Ingress policer;egress shaping and rate control; per VLAN,per port and flow based
Management (Web/ SSL, Telnet/ SSH, ping, Trivial File Transfer Protocol (TFTP), SNMP, Syslog)	
Web GUI interface	Built-in switch configuration utility for browser-based device configuration (HTTP/ HTTPS). Supports configuration, system dashboard, maintenance, and monitoring
Dual Image	Dual image provides independent primary and secondary OS files for backup while upgrading
Firmware upgrade	Web browser upgrade (HTTP/ HTTPS) and TFTP; Upgrade through console.port as well
Port mirroring	Traffic on a port can be mirrored to another port for analysis with a network analyzer or RMON probe. Up to N-1 (N is Switch's Ports) ports can be mirrored to single destination port. A single session is supported.
Other management	Single IP management; HTTP/HTTPS; SSH; RADIUS; DHCP Client; SNTP; cable diagnostics; ping; syslog; Telnet client (SSH secure support)
Green Ethernet	
Green and Energy-saving Ethernet (EEE)	Compliant IEEE802.3az Energy Efficient Ethernet Task Force. Automatically turns off power on Gigabit Ethernet RJ-45 port when detecting link down or Idle of client. Active mode is resumed without loss of any packets when the switch detects the link up
Cable length detection	Adjusts the signal strength based on the cable length. Reduces the power consumption for cables shorter.
General	
Jumbo frames	Frame sizes up to 9KB supported on Gigabit interfaces
MAC Table	Up to 8K MAC addresses.
Discovery	

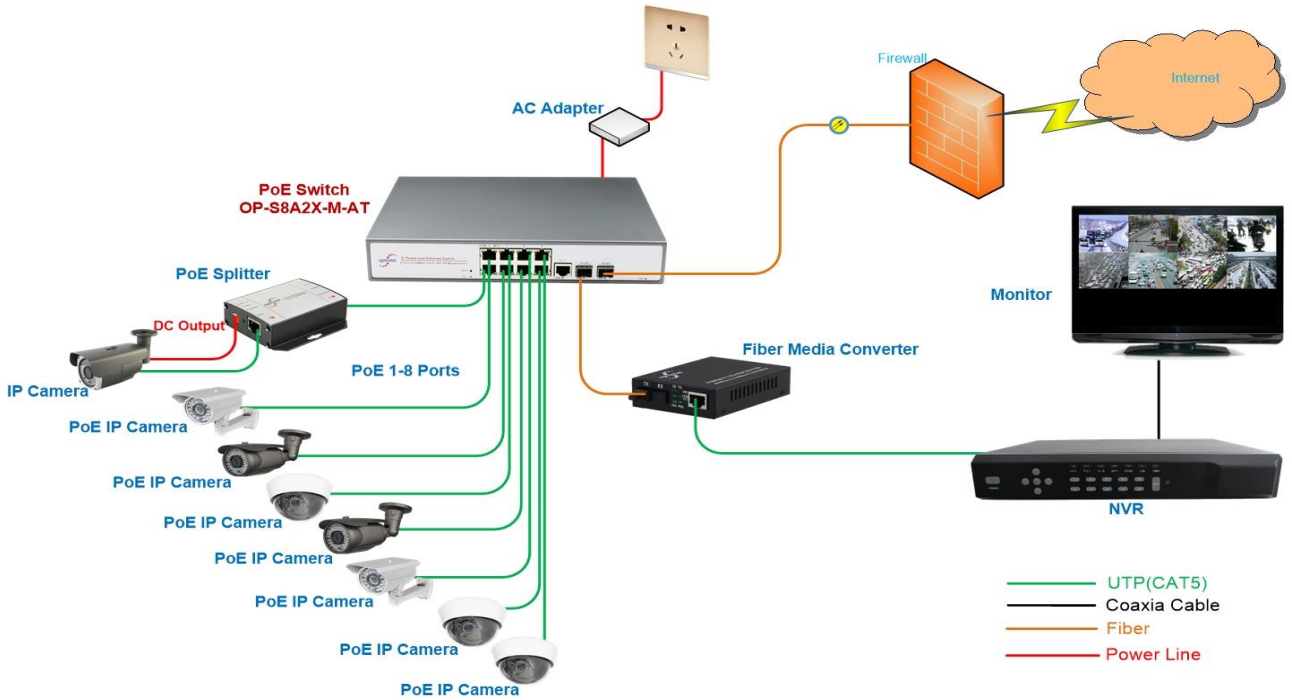
Link Layer Discovery Protocol (LLDP)	Used by network devices for advertising their identities, capabilities, and neighbors on a IEEE 802 local area network, principally wired Ethernet.		
PoE			
PoE Standard:	IEEE802.3af/at	Power:	Max. Power per PoE Port:30W ; Switch's total power: 250W
PoE Ports:	8 ports support PoE	Power Pin Type:	End-span (Mid-span optional)
Minimum Requirements			
Web browser: Mozilla Firefox version 2.5 or later, Microsoft Internet Explorer version 6 or later; Category 5 Ethernet network cable; TCP/IP, network adapter, and network operating system (such as Microsoft Windows, Linux, or Mac OS X) installed on each computer in network			
Environmental (preliminary)			
Dimensions	279 x 210 x 44mm		
Working Environment	Operating temperature: -20 to 55 °C; Storage temperature: -40°C to 85 °C; Operating humidity: 5% to 95% , relative, non-condensing		

**Technical Parameter
Product S**



- A. Rj45 Ports (PoE Ports)
- B. Console Port
- C. Gigabit Uplink SFP Slot
- D. Reset
- E. System Working Indicator
- F. 100-240VAC,50/60Hz

Application



Order Information

Model	Description
OP-S8E2X-M-AT	10-port Gigabit Managed PoE Switch, with 8x 10/100/1000Base-T RJ45 Ethernet ports, 1x console port, and 2x gigabit SFP slots. 8 RJ45 ports support PoE power supply function, IEEE802.3af/at standard. Max Power per PoE Port: 30W ; Switch's total power: 250W.
Notes: 1. Default PoE power supply type is end-span, mid-span optional 2.SFP module is not included, need to order it separately	

Package include

No	Package List
1	10-port Managed PoE Switch (OP-S8E2X-M-AT)
2	Power Cable
3	User Guide
4	Warranty Card

Important Notice

Performance figures, data and any illustrative material provided in this data sheet are typical and must be specifically confirmed in writing by OPTOSTAR before they become applicable to any particular order or contract. In accordance with the OPTOSTAR policy of continuous improvement specifications may change without notice.

The publication of information in this data sheet does not imply freedom from patent or other protective rights of OPTOSTAR or others. Further details are available from any OPTOSTAR sales representative.

Contact OPTOSTAR

Shenzhen Optostar Optoelectronics Co., Ltd

Address:A-14,Haide Building,the Intersection of Nanxin Road and Haide Second Road Nanshan District Shenzhen,China .

Tel: +86-755-26400198 +86-755-26400288 Fax: +86-755-26411001

Email: info@optostar.com.cn

Skype:ouyangroya

Web: www.optostar.com.cn